

Chief offers the largest line of top-quality universal and custom flat panel TV mounts worldwide. Designed for speed of installation, Chief mounts feature innovative designs that combine fast, trouble-free installation with easy-to-use functionality.

**Are you a Chief Certified Partner?**  
Register at [www.chiefmfg.com/certification](http://www.chiefmfg.com/certification).

[www.chiefmfg.com](http://www.chiefmfg.com)

January 2010

# FLAT PANEL MOUNTS

## What's New

FUSION™ Series, Pull-Out Wall Mounts (back left page)



## Model Number Key

### VESA® (-V)

Model numbers ending in "V" are compatible with multiple VESA hole mounting patterns.

### Universal (-U)

Model numbers ending in "U" are infinitely adjustable to adapt to a wide range of TVs.

### Custom (-XXXX)

For a custom fit and/or custom hardware, mounts can be ordered with an interface designed for a particular TV model. Custom mounts are indicated by a 4-digit number at the end of the model number. See Chief's MountFinder Pro tool at [www.chiefmfg.com](http://www.chiefmfg.com) for custom model numbers.

## Specification Key

TV: TV Screen Size	D: Depth from Wall	C: Color
PA: Plumb Adjustment	E: Extension	T: Tilt
W: Weight Capacity	HA: Height Adjustment	

## Interface Bracket Key

To confirm interface bracket included with products, consult list below.



### FSBV VESA Bracket

For: FSRV, FTRV, FHSV, FWDV and FWDIW



### JSBU Universal Bracket

For: JHSU, JWDU and JWDIW



### MSBU Universal Bracket

For: MCSU, MWRU, MWRIW, MIWRFU, MFCU, MF1U, MFMU, MF2U and MFQU



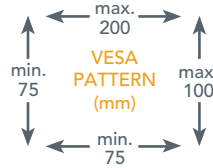
### PSBU Universal Bracket

For: PCSU, PDRU, PNRU, PWRIW, PNRIW, PIWRFU, PFCU, PF1U, PF2U, CM2L40U and CM2C40U

## FIXED MOUNTS

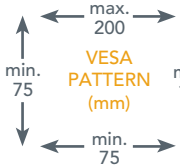
### FSRV™

TV: 10 - 32"  
W: 45 lbs (20.4 kg)  
D: 0.75" (19 mm)  
C: ■



### FTRV™

TV: 10 - 32"  
W: 45 lbs (20.4 kg)  
D: 1.95" (49 mm)  
T: +5°, -15°  
C: ■

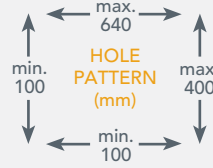


SMALL

### \*MSMU™

FUSION Series

TV: 26 - 47"  
W: 125 lbs (56.7 kg)  
D: 1.96" (50 mm)  
C: ■

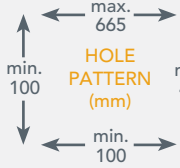


Also Available: MSMVU™ Pull-Out Mount

MEDIUM

### \*MTMU™

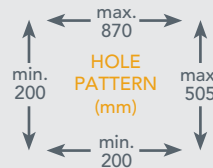
TV: 26 - 47"  
W: 125 lbs (56.7 kg)  
D: 1.99" (51 mm)  
T: 12°  
C: ■



### \*LSMU™

FUSION Series

TV: 37 - 63"  
W: 200 lbs (90.7 kg)  
D: 1.96" (50 mm)  
C: ■

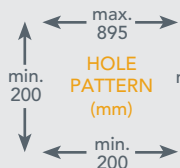


Also Available: LSMVU™ Pull-Out Mount

LARGE

### \*LTMU™

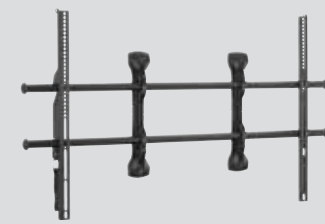
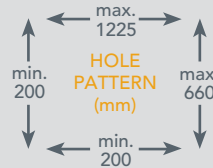
TV: 37 - 63"  
W: 200 lbs (90.7 kg)  
D: 1.99" (51 mm)  
T: 12°  
C: ■



### XSMU™

FUSION Series

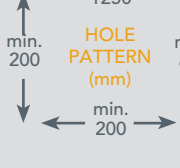
TV: 55 - 75"  
W: 250 lbs (113 kg)  
D: 1.96" (50 mm)  
C: ■



EXTRA LARGE

### XTMU™

TV: 55 - 75"  
W: 250 lbs (113 kg)  
D: 1.99" (51 mm)  
T: 12°  
C: ■



\* Also available: MSA, MTA, LSA, and LTA mounts (not equipped with ControlZone height adjustment)

# TILT MOUNTS

# CEILING MOUNTS

# SWING ARM MOUNTS




max. 100

### FHSV™

TV: 10 - 32"  
 W: 40 lbs (18.2 kg)  
 T: ±15°  
 C: ■ ■

max. 200  
 min. 75  
**VESA PATTERN (mm)**  
 max. 100  
 min. 75




Ceiling plate and column not included


### FWDV™

TV: 10 - 32"  
 W: 40 lbs (18.2 kg)  
 \*\* D: 2.17" (55 mm)  
 T: ±15°  
 E: 15.93" (404 mm)  
 C: ■ ■

max. 200  
 min. 75  
**VESA PATTERN (mm)**  
 max. 100  
 min. 75



*FUSION Series*




max. 400

Also Available: MTAPU™ Portrait Mount

### JHSU™

TV: 26 - 45"  
 W: 75 lbs (34 kg)  
 T: ±15°  
 C: ■ ■

max. 400  
 min. 100  
**HOLE PATTERN (mm)**  
 max. 400  
 min. 100




Ceiling plate and column not included

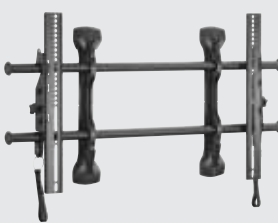
### JWDU™

TV: 26 - 45"  
 W: 75 lbs (34 kg)  
 \*\* D: 2.69" (68 mm)  
 T: ±15°  
 E: 20.38" (518 mm)  
 C: ■ ■

max. 400  
 min. 100  
**HOLE PATTERN (mm)**  
 max. 400  
 min. 100



*FUSION Series*




max. 505

Also Available: LTAPU™ Portrait Mount

### MCSU™

TV: 30 - 55"  
 W: 125 lbs (56.7 kg)  
 T: +5°, -20°  
 C: ■


max. 709  
 min. 100  
**HOLE PATTERN (mm)**  
 max. 431  
 min. 100



### MWRU™

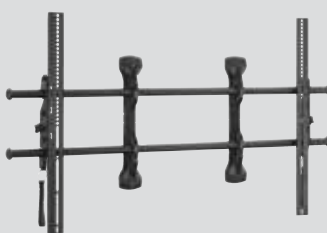
TV: 30 - 55"  
 W: 125 lbs (56.7 kg)  
 \*\* D: 3.38" (86 mm)  
 T: +5°, -15°  
 E: 24.88" (632 mm)  
 C: ■ ■

max. 709  
 min. 100  
**HOLE PATTERN (mm)**  
 max. 431  
 min. 100



Also Available: PWRU™

*FUSION Series*




max. 660

### PCSU™

TV: 42 - 71"  
 W: 200 lbs (90.7 kg)  
 T: +5°, -20°  
 C: ■


max. 862  
 min. 200  
**HOLE PATTERN (mm)**  
 max. 517  
 min. 200



### PDRU™

TV: 42 - 71"  
 W: 200 lbs (90.7 kg)  
 \*\* D: 3.4" (86 mm)  
 T: +5°, -17°  
 E: 38.38" (949 mm)  
 C: ■ ■

max. 862  
 min. 200  
**HOLE PATTERN (mm)**  
 max. 517  
 min. 200



Also Available: PNRU™  
 Extends 24.88 (632 mm)

ment and leveling). \*\* Depth from wall does not include interface bracket.

To view our full line of products, visit [www.chiefmfg.com](http://www.chiefmfg.com).

TS

## IN-WALL ACCESSORIES

## THININSTALL™ SERIES

### FAC501™ *shown with FWDIW™*

TV: 20 - 26"  
W: 40 lbs (18.2 kg)  
\*\* D: 0.11" (3 mm)  
T: ±15°  
E: 17.2" (437 mm)  
C: ■



Compatible with FWDIW Swing Arm

### MAC501™ *shown with JWDIW™*

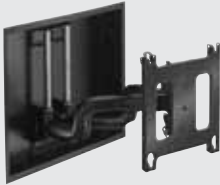
TV: 26 - 40"  
W: 75 lbs (34 kg)  
\*\* D: 0.11" (3 mm)  
T: ±15°  
E: 21.2" (538 mm)  
C: ■



Compatible with JWDIW Swing Arm

### PAC501™ *shown with PNRIW™*

TV: 42 - 71"  
W: 200 lbs (90.7 kg)  
\*\* D: 0.62" (16 mm)  
T: +5°, -15°  
E: 22.4" (569 mm)  
C: ■

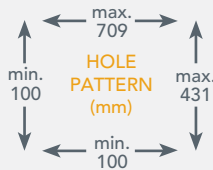


Compatible with MWRIW™, PWRIW™ or PNRIW™ Swing Arm Mounts

## IN-WALL MOUNTS

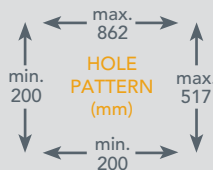
### MIWRFU™

TV: 30 - 55"  
W: 125 lbs (56.7 kg)  
\*\* D: 1.64" (42mm)  
T: +2°, -15°  
E: 9.9" (251 mm)  
C: ■



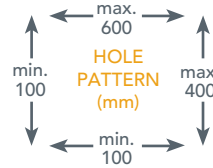
### PIWRFU™

TV: 42 - 65"  
W: 200 lbs (90.7 kg)  
\*\* D: 1.64" (42mm)  
T: +2°, -15°  
E: 15" (381 mm)  
C: ■



### MTTU™ *For Ultra-Thin TVs (under 2" / 51 mm deep)*

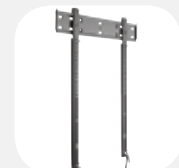
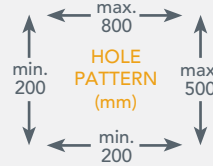
TV: 26 - 47"  
W: 100 lbs (45.4 kg)  
D: 0.75" (19 mm)  
T: 12°  
C: ■



MSTU™ Fixed Mount

### LTTU™ *For Ultra-Thin TVs (under 2" / 51 mm deep)*

TV: 37 - 63"  
W: 100 lbs (45.4 kg)  
D: 0.75" (19 mm)  
T: 12°  
C: ■



LSTU™ Fixed Mount

## IN-WALL BOXES

### PAC511™



- Designed for retrofit installations
- Conceals excess cables and surge protectors in the wall
- Installs between 16" (406 mm) centers
- Compatible with single gang metal electrical boxes

### PAC516™



- Designed for new construction or retrofit installations
- Conceals excess cables and surge protectors in the wall
- Installs between 16" (406 mm) centers
- Compatible with single gang metal electrical boxes

### PAC521P™



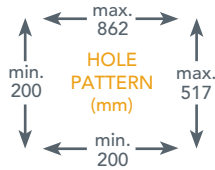
- Integrated power conditioning
- Installs horizontally or vertically to wood studs or directly to drywall
- Rated for 2160 joules and 15 amps
- 1800 watt maximum
- Reduces common and differential mode noise by up to 40 dB

# FLAT PANEL MOUNTS

## MOBILE CARTS & STANDS

### PFCU™ shown with PAC710™ accessory shelf

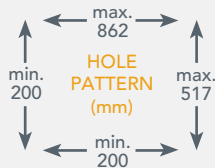
TV: 42 - 65"  
 W: 200 lbs (90.7 kg)  
 HA: 4-6' (1.2 - 1.8 m)  
 T: ±15°  
 C: ■ □



Also Available: MFCU™, TV: 30 - 55"

### PF1U™ shown with PAC710™ accessory shelf

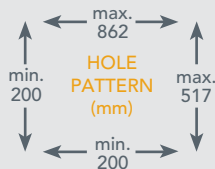
TV: 42 - 65"  
 W: 200 lbs (90.7 kg)  
 HA: 4-7' (1.2 - 2.1 m)  
 T: ±15°  
 C: ■ □



Also Available: MF1U™, TV: 30 - 55"

### PF2U™

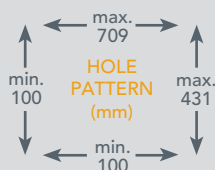
TV: 42 - 65"  
 W: 200 lbs (90.7 kg)  
 per side  
 HA: 4-7' (1.2 - 2.1 m)  
 T: ±15°  
 C: ■ □



Also Available: MF2U™, TV: 30 - 55"

### PFMU™

TV: 42 - 65"  
 W: 200 lbs (90.7 kg)  
 HA: 3 - 4' (91 - 120 cm)  
 T: +15° to +45°  
 C: ■ □

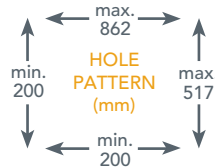


Also Available:  
 MFMU, TV: 30 - 55"  
 PFQU, TV: 42 - 65", HA: 2 - 2.5'  
 MFQU, TV: 30 - 55", HA: 2 - 2.5'

## AUTOMATED

### CM2L40U™ Pop-Up Lift

TV: 32 - 61"  
 W: 170 lbs (77.1 kg)  
 C: ■

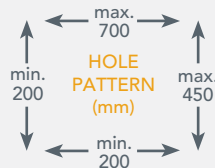


Also Available: CM2C40U™ Drop Down Ceiling Lift

### PXRU™ Swing Arm

Coming Soon!

TV: 32 - 65"  
 W: 150 lbs (68 kg)  
 E: 27" (685 mm)  
 C: ■



## PULL-OUT WALL MOUNTS

Perfect for video walls and recessed installations

### MSMVU™

FUSION Series

TV: 26 - 47"  
 D: 3.7" (94 mm)  
 E: 7" (178 mm)  
 W: 125 lbs (56.7 kg)  
 PA: 2.5°  
 C: ■



Pulls out 7" for access behind TV

### LSMVU™

FUSION Series

TV: 37 - 63"  
 D: 3.7" (94 mm)  
 E: 7" (178 mm)  
 W: 150 lbs (68 kg)  
 PA: 2.5°  
 C: ■



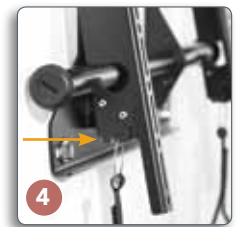
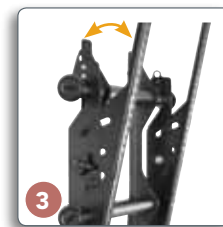
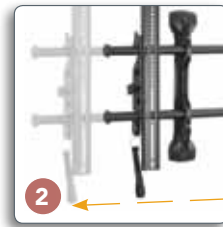
Pulls out 7" for access behind TV

# FUSION SERIES MOUNTS

Installer-Inspired Mounting System

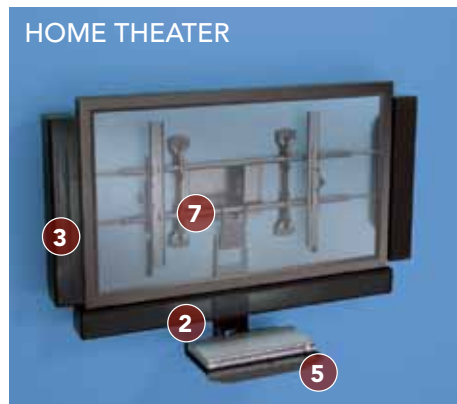
## TIME-SAVING FEATURES

- 1** **CONTROLZONE™ HEIGHT & ROLL ADJUSTMENT**  
Fine-tune height and leveling after the mount is installed by inserting an allen key into the ports located at the top of the uprights.
- 2** **CENTERLESS™ LATERAL SHIFT**  
Get up to 16" (406 mm) of post installation lateral shift - 8" (203 mm) left/right of uprights.
- 3** **CENTRIS™ LOW-PROFILE TILT**  
Provides effortless tilting by using the center of gravity to balance the screen – no tools necessary!
- 4** **CLICKCONNECT™ TOOL-LESS LATCHING**  
Hear an audible click when the screen safely engages with the mount. Use the built-in cable stand to gain easy access under the screen.



## FUSION ACCESSORIES - CUSTOMIZE YOUR INSTALL

For a full description of all Fusion accessories, visit [fusionmounts.com](http://fusionmounts.com).



\* Can be used with FCS100, FCC100 or FVS100/150 shelves.

\*\* FCK008 recommended when installing 37-42" screens on L-series of Fusion. All others can use the FCK016.

CHIEF MANUFACTURING ■ A DIVISION OF MILESTONE AV TECHNOLOGIES ■ [www.chiefmfg.com](http://www.chiefmfg.com)  
 Milestone AV Technologies ■ P 800.582.6480/952.894.6280 ■ F 877.894.6918/952.894.6918 ■ [chief@chiefmfg.com](mailto:chief@chiefmfg.com)  
 Chief Mounts Canada ■ P 877.345.4329 ■ F 888.377.5314 ■ [info@chiefmounts.ca](mailto:info@chiefmounts.ca)  
 Milestone AV Technologies B.V. ■ P +31 (40) 23 24 700 ■ F +31 (40) 23 24 710 ■ [europe.chief@milestone.com](mailto:europe.chief@milestone.com)  
 Milestone AV Technologies Ltd ■ P 852 2145 4099 ■ F 852 2145 4477 ■ [asia.chief@milestone.com](mailto:asia.chief@milestone.com)

©2010 Milestone AV Technologies, a Duchossois Group Company. 100041H 1/2010. Chief is a registered trademark of Milestone AV Technologies. All other brand names or marks are used for identification purposes and are trademarks of their respective owners. All patents are protected under existing designations. Other patents pending.